

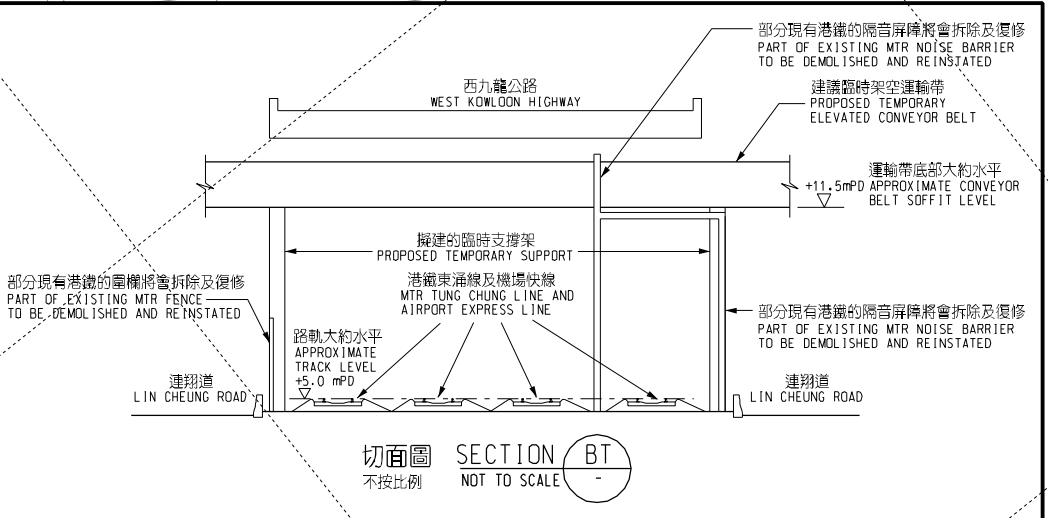
部分現有港鐵的隔音屏障將會拆除及復修
PART OF EXISTING MTR NOISE BARRIER TO BE DEMOLISHED AND REINSTATED

建議臨時架空運輸帶的大約位置
APPROXIMATE LOCATION OF PROPOSED TEMPORARY ELEVATED CONVEYOR BELT

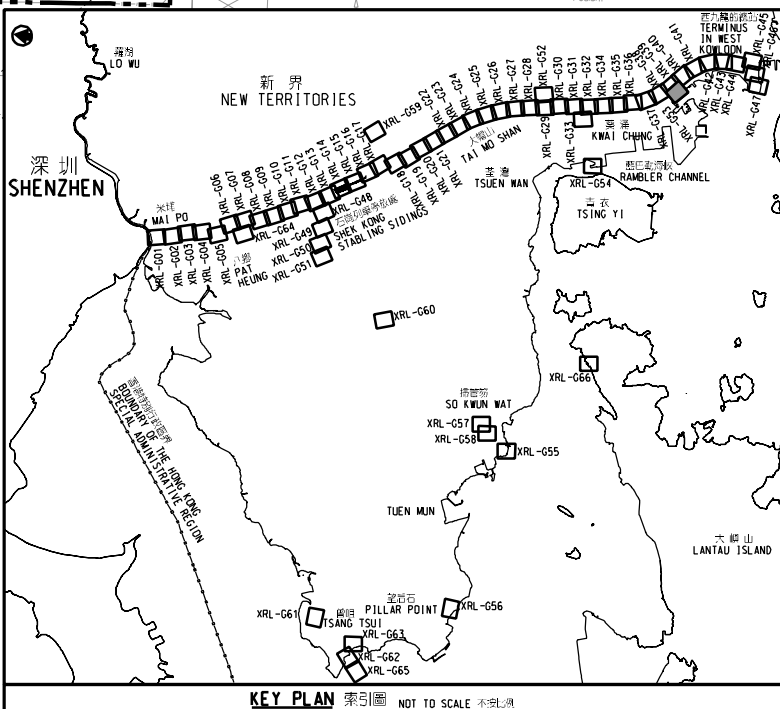
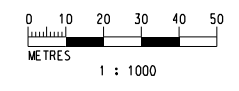
部分現有港鐵的圍欄將會拆除及復修
PART OF EXISTING MTR FENCE TO BE DEMOLISHED AND REINSTATED

現有通道將不受影響
EXISTING VEHICULAR ACCESS WILL NOT BE AFFECTED

建議的臨時躉船起卸設施
PROPOSED TEMPORARY BARGE LOADING FACILITIES



切面圖 SECTION BT
不按比例 NOT TO SCALE



KEY PLAN 索引圖 NOT TO SCALE 不按比例

圖例 LEGEND

- 方案界線
BOUNDARY OF THE SCHEME
- 擬建的車站及其他鐵路設施
PROPOSED STATION AND OTHER RAILWAY FACILITIES
- 擬建的車站及其他鐵路設施(地下)
PROPOSED STATION AND OTHER RAILWAY FACILITIES (UNDERGROUND)
- 擬建的鑽挖或掘或鑽爆隧道
PROPOSED BORED / MINED / DRILL AND BLAST TUNNEL
- 擬採用明挖回填法興建的鐵路設施或隧道
PROPOSED RAILWAY FACILITIES/TUNNEL BY CUT-AND-COVER METHOD
- 擬建的地下臨時建築通道
PROPOSED TEMPORARY UNDERGROUND CONSTRUCTION ACCESS
- 可能永久封閉的道路(包括行車道和行人徑)
ROADS (INCLUDING CARRIAGEWAY AND FOOTPATH) WHICH MAY BE CLOSED PERMANENTLY
- 擬建的緊急車輛通道及行車道
PROPOSED EMERGENCY VEHICULAR ACCESS AND CARRIAGEWAY
- 擬建的行人徑
PROPOSED FOOTPATH
- 現有的行人天橋將受影響
EXISTING FOOTBRIDGE TO BE AFFECTED
- 擬建的臨時行人天橋/地面行人過路處
PROPOSED TEMPORARY FOOTBRIDGE / AT-GRADE PEDESTRIAN CROSSING
- 擬建的行人天橋
PROPOSED FOOTBRIDGE
- 可能在其上進行填海工程或其他工程的政府前濱或海床
GOVERNMENT FORESHORE OR SEABED OVER OR UPON WHICH RECLAMATION OR OTHER WORKS MAY BE CARRIED OUT
- 圖則修改
DRAWING REVISION
- A1
- 修訂參考編號(參考憲報公告)
AMENDMENT REFERENCE NUMBER (SEE GAZETTE NOTICE)
- 修訂範圍
AMENDMENT AREA

一般說明 GENERAL NOTES
1. 有關一般說明參閱圖號 XRL - G01.
FOR GENERAL NOTES, REFER TO DRAWING NO. XRL - G01.

修訂表 TABLE OF AMENDMENTS

修訂號	修訂日期	修訂人	修訂內容	
REV	DATE	BY	DESCRIPTION	
17	17 APR 2009	CADD	PP	修訂標題方格內容及索引圖 TITLE BOX AND KEY PLAN AMENDED

獲准發出 APPROVED FOR ISSUE
發出日期 DATE OF ISSUE

圖則名稱 DRAWING TITLE
**廣深港高速鐵路香港段
鐵路條例(第519章)
總體規劃圖則 66頁的第53頁**
HONG KONG SECTION OF
GUANGZHOU - SHENZHEN - HONG KONG
EXPRESS RAIL LINK
RAILWAYS ORDINANCE (CHAPTER 519)
GENERAL LAYOUT PLAN SHEET 53 OF 66

圖號 DRAWING NO. **XRL - G53** 比例 SCALE **1:1000 (A1)**
或如顯示 AS SHOWN

香港特別行政區政府
THE GOVERNMENT OF THE HONG KONG
SPECIAL ADMINISTRATIVE REGION

路政署
HIGHWAYS DEPARTMENT

鐵路拓展處
RAILWAY DEVELOPMENT OFFICE